

SPECIFICATION

USE	1/1.8" (φ9mm)					
FOCAL LENGTH	f=20~750mm					
IRIS RANGE	F=4.6~44					
BACK FOCAL LENGTH	49.7 mm in air					
IMAGE SIZE	5.4x7.2mm (φ9)		4.8x6.4mm (φ8)		3.6x4.8mm (φ6)	
FIELD ANGLE	DIA.	(w) 24.8° (t) 0.69°	(w) 22.1° (t) 0.61°	(w) 16.8° (t) 0.46°		
	HOR.	(w) 20.0° (t) 0.55°	(w) 17.9° (t) 0.49°	(w) 13.5° (t) 0.37°		
	VER.	(w) 15.1° (t) 0.41°	(w) 13.5° (t) 0.37°	(w) 10.1° (t) 0.28°		
FIELD OF VIEW AT M.O.D	DIA.	(w) 2148mm (t) 60mm	(w) 1918mm (t) 53mm	(w) 1445mm (t) 40mm		
	HOR.	(w) 1728mm (t) 48mm	(w) 1540mm (t) 43mm	(w) 1159mm (t) 32mm		
	VER.	(w) 1302mm (t) 36mm	(w) 1159mm (t) 32mm	(w) 870mm (t) 24mm		
DISTORTION (TV)	(w) 0.44% (t) 0.21%	(w) -0.3% (t) -0.02%	(w) -0.3% (t) 0.00%			
FOCUS RANGE	∞~5.0m					
CLEAR APERTURE	FRONT φ104mm REAR φ14.2mm					
EXIT PUPIL POSITION	-87.0mm					
WEIGHT	4,990 g					
FILTER	DUMMY, 920nm, 1000nm, 1475nm					

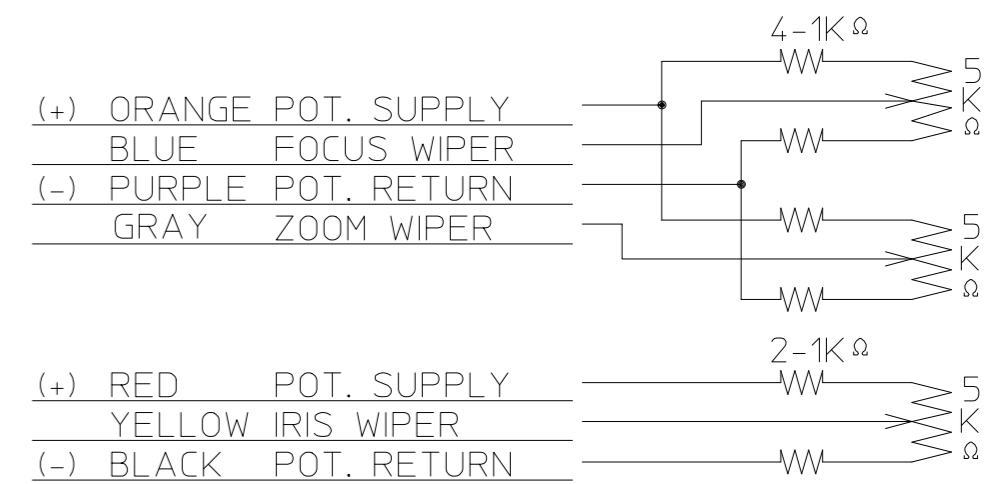
① MOTOR CABLE (FOCUS, ZOOM, IRIS)

- (+) GREEN FOCUS NEAR
- (+) BLACK FOCUS FAR
- (+) YELLOW ZOOM IN
- (+) RED ZOOM OUT
- (+) WHITE IRIS OPEN
- (+) BROWN IRIS CLOSE

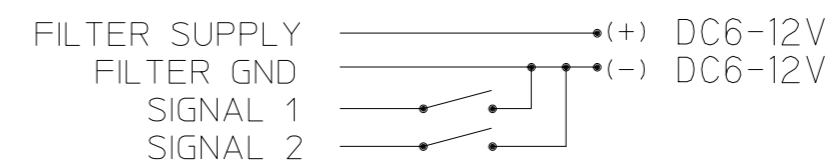
- (+) ORANGE FILTER SUPPLY
- (+) BLUE FILTER GND
- (+) GRAY SIGNAL1
- (+) PURPLE SIGNAL2

FILTER	SIGNAL 1 (GRAY)	SIGNAL 2 (PURPLE)
POSITION1	OPEN	OPEN
POSITION2	GND SHORT	OPEN
POSITION3	OPEN	GND SHORT
POSITION4	GND SHORT	GND SHORT

② POT. CABLE (FOCUS, ZOOM, IRIS)



CIRCUIT DIAGRAM



		MODEL NAME	1/1.8" F4.6 20-750mm
2025.03.25		MODEL NUMBER	LMZ20750M3P-SWDF
2024.04.17	Date		