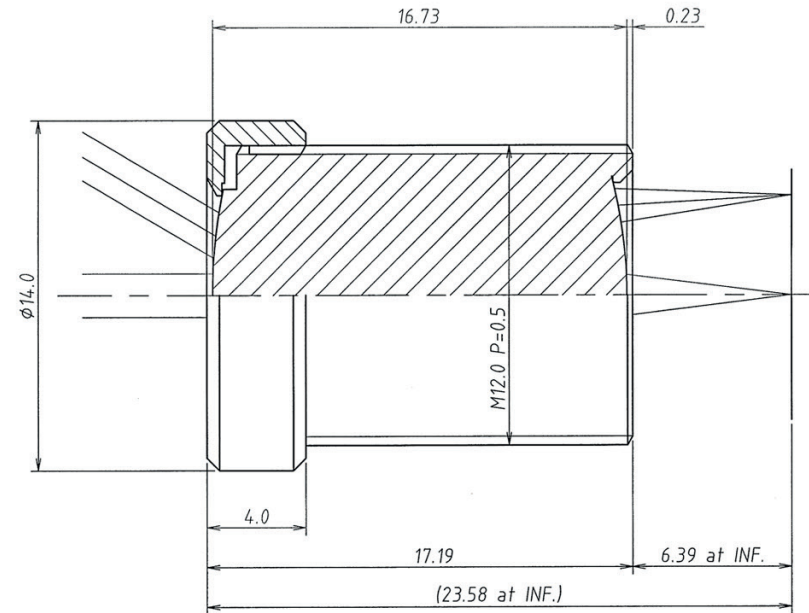




LM07040N-NCM



LENS SPECIFICATION

Focal length	7.03mm ±5%
Back focal length	6.61mm ±5%
Mechanical back	6.39mm ±0.3mm
Aperture ratio	F/4.0 ±5%
Image size	1/2" (4.8mmx6.4mm)
Magnification	-
Distortion	-3.2%

RESOLUTION

Centre	200LP/mm
Corner	80LP/mm

PUPIL POSITIONS FROM LENS SURFACE

Entrance pupil	4.43mm (Front lens)
Exit pupil	-41.39mm (Image plane)

PRINCIPAL POINTS FROM LENS SURFACE

Object space	10.28mm (Front lens)
Image space	-7.02mm (Image plane)

ANGLE OF VIEW INF.

Vertical	38.1°
Horizontal	49.8°
Diagonal	60.8°

COATING (λ=546nm)

All surfaces are anti-reflection coated.
MgF2 single coated.

Angle of view

Image to object distance = infinity	1/3"	1/4"	1/1.8"
	(3.6x4.8mm)	(2.7x3.6mm)	(5.2x6.9mm)
Vertical:	28.9°	21.8°	41.1°
Horizontal:	38.1°	28.9°	53.3°
Diagonal:	47.0°	35.8°	64.9°
Distortion:	-2.0%	-1.2%	-3.7%